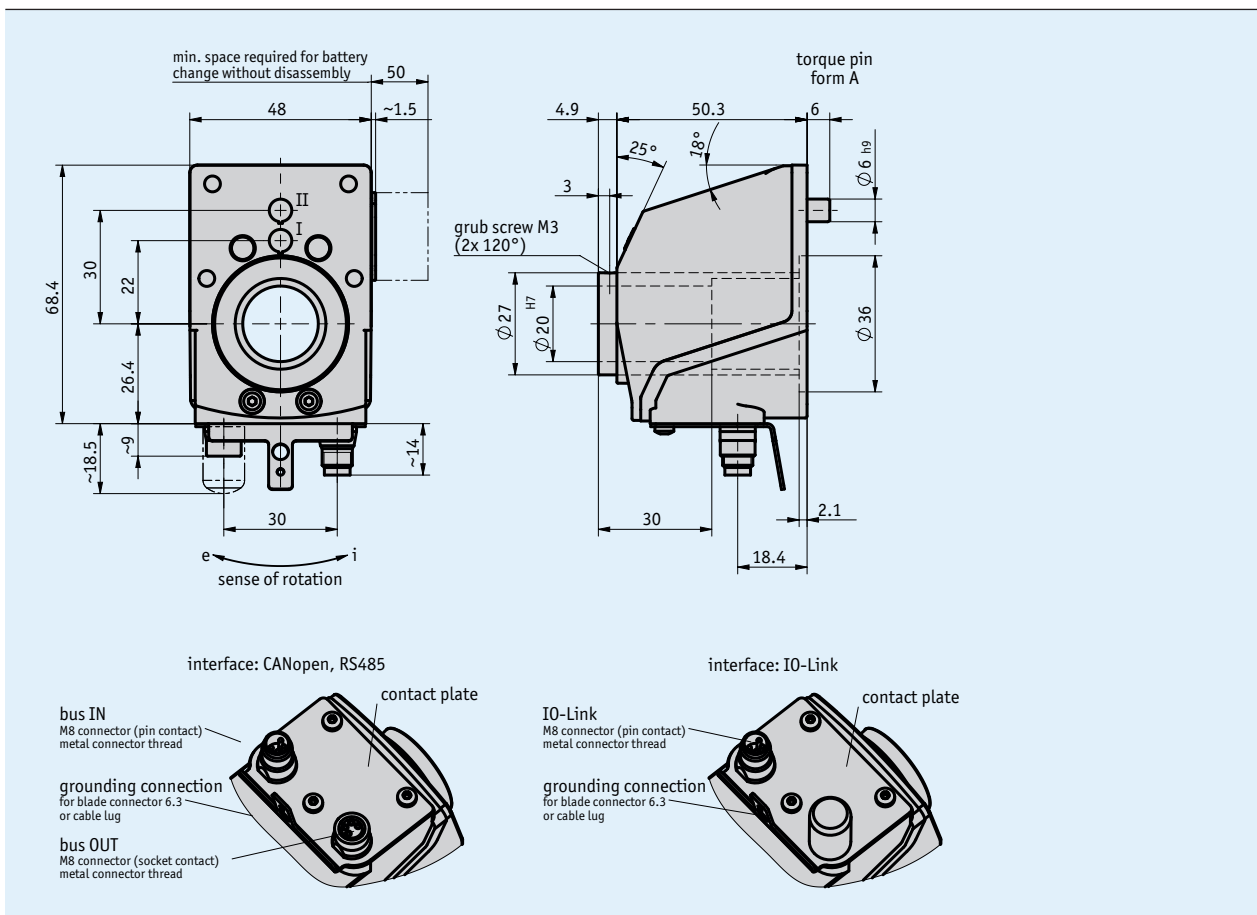


### Profile

- Electronic position indicator with interface
- Stainless-steel hollow shaft  $\varnothing 20$  mm, up to  $\varnothing 25.4$  mm as an option
- Backlit display
- Two-line LCD for target and actual values
- Reset, incremental measurement, offset via keyboard
- Integrated RS485 interface, CAN bus or IO-Link as an option
- Robust sensor technology unit thanks to magnetic scanning
- User guidance through status LEDs
- Mechanically compatible with the DA09S position indicator
- IP53 protection class, IP65 as an option
- Industry 4.0 ready



### Mechanical data

Feature	Technical data	Additional information
Shaft	stainless steel	
Housing	reinforced plastic	plug thread, nickel-plated brass/cover, metal ground connection
Color	black, RAL 9005	
Speed	$\leq 500$ rpm	
Weight	$\sim 0.2$ kg	

### Electrical data

Feature	Technical data	Additional information
Operating voltage	24 V DC $\pm 20\%$	
Current consumption	~30 mA	additional ~3 mA per LED when operated with LEDs
Power input	~0.72 VA	Max. power supply of the power supply unit used: 100 VA. The power supply used corresponds to SELV/Limited Energy (IEC 61010-1) or SELV/LPS (IEC 60950-1) or Class 2 (UL 1310).
Battery service life	~8 year(s)	
Parameter storage	10 <sup>5</sup> cycles	also applies to calibration operations
Display/display range	6-digit LCD 14-segment, ~8 mm height	decimal points, 2 rows, special characters (backlit LED red/white)
Special character	cw arrow, ccw arrow, incremental measurement, battery	
Status display	2x two-color LED (red/green)	position status, configurable
Keys	incremental measurement function, parameterizing, resetting	
Interface	RS485; CANopen; IO Link	no galvanic isolation
Type of connection	2x M8-plug connectors (A-coded) 1x M8 connector (A-coded) grounding via flat male tab 6.3 mm or terminal lug	4-pin, 1x socket, 1x pin (RS485, CANopen) 4-pin, 1x pin (IO-Link)

### System data

Feature	Technical data	Additional information
Scanning	magnetic	
Resolution	880 increments/revolution	displayed value/rotation freely configurable
Measuring range	$\leq 11914$ revolution(s)	
Approval	UL	UL 61010-1, File No. E503367

### Ambient conditions

Feature	Technical data	Additional information
Ambient temperature	0 ... 60 °C	
Storage temperature	-20 ... 80 °C	
Relative humidity		condensation inadmissible
EMC	EN 61326-1	Industry immunity requirement, class B emission limit, shielded line required
Safety regulations	DIN EN 61010-1 (VDE 0411-1), UL 61010-1	Limited power supply according to DIN EN 61010-1 Section 9.4. Protection class II Surge category II Pollution level 2
Protection category	IP53 IP65	EN 60529, only with mating connector (protection class not examined by UL) EN 60529, only with mating connector (protection class not examined by UL)
Shock resistance	500 m/s <sup>2</sup> , 11 ms	EN 60068-2-27
Vibration resistance	100 m/s <sup>2</sup> , 5 ... 150 Hz	EN 60068-2-6

### Pin assignment

#### ■ Interfaces

RS485	CAN-Bus	IO-Link	PIN
TxRx-/DÜB	CANL	L+ (+UB)	1
TxRx+/DÜA	CANH	nc	2
+UB	+UB	L- (GND)	3
GND	GND	C/Q	4

### Industry 4.0

In most cases, data exchange with the position indicators is limited to the exchange of process data. In addition to the process data, intelligent displays provide additional information that can be evaluated for condition monitoring up to predictive maintenance:

Process Data	Smart Value	Smart Function
Actual position	Battery voltage	Battery change planning
Target position	Speed	Overload

### Order

#### Ordering table

Feature	Ordering data	Specification	Additional information
Interface/protocol	CAN	CANopen	
	S3/09	RS485/SIKONETZ5	
	IOL	IO Link	
Hollow shaft/diameter	20	ø20 mm	
	25.4	ø25.4 mm	
	...	RH14, RH16	reducing bushes
		others on request	
Torque pin/position	II	30 mm distance	
	I	22 mm distance	optional
Protection category	IP53	IP53	
	IP65	IP65	
Viewing window	SF	front foil	
	K	plastic	impact protection

#### Order key



**Scope of delivery:** AP10, Mounting instructions

#### Accessories you can find:

Battery unit ZB1027	<a href="http://www.siko-global.com">www.siko-global.com</a>
Clamping plate KPL09	<a href="http://www.siko-global.com">www.siko-global.com</a>
Pneumatic clamping plate KP09P	<a href="http://www.siko-global.com">www.siko-global.com</a>
Reduction sleeve RH09	<a href="http://www.siko-global.com">www.siko-global.com</a>
Cable extension KV04S1	<a href="http://www.siko-global.com">www.siko-global.com</a>
Easy Touch Control ETC5000	<a href="http://www.siko-global.com">www.siko-global.com</a>
Mating Connector Overview	<a href="http://www.siko-global.com">www.siko-global.com</a>
Mating connector, 4-pole, socket	Order key 84209
Mating connector, 4-pole, pin	Order key 84210
Bus terminating connector, 4-pole, pin	Order key BAS-0005