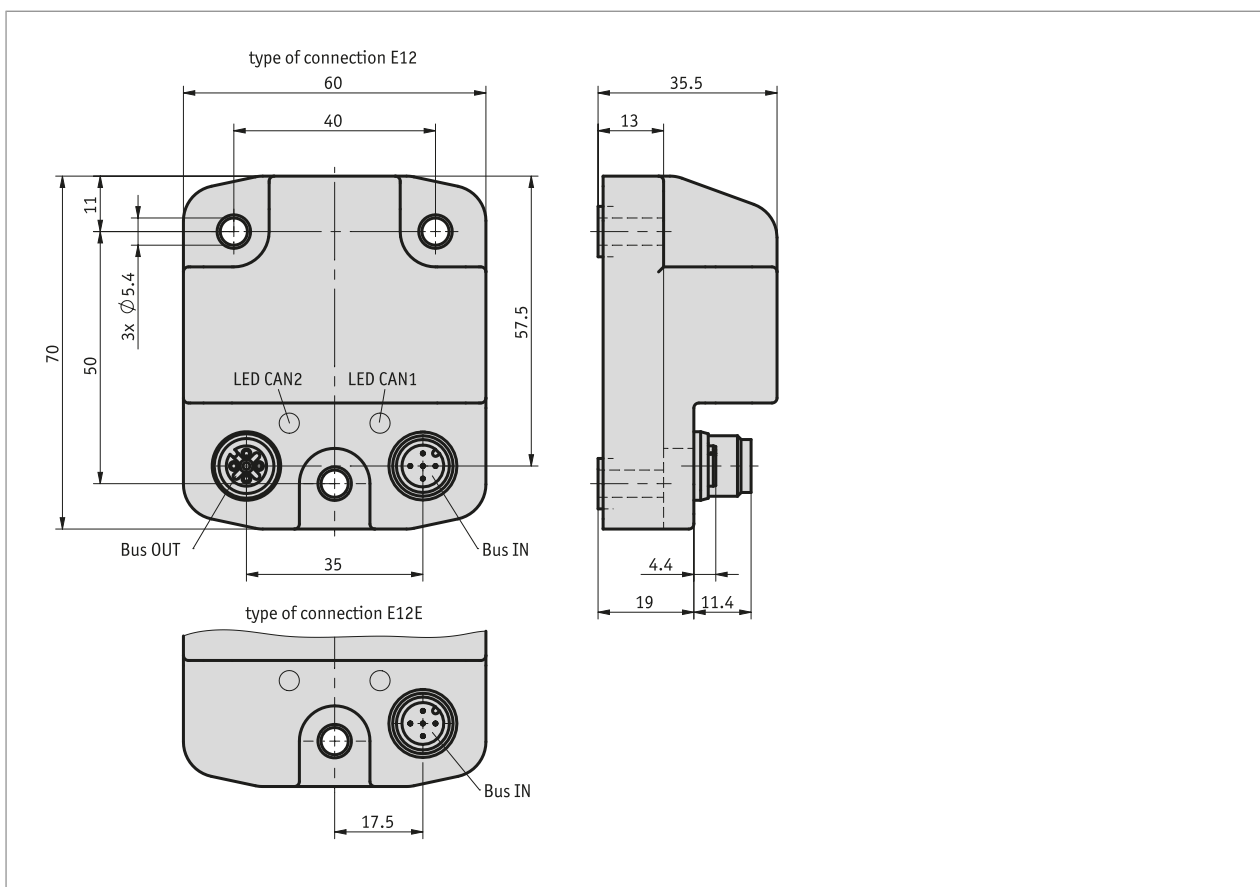


Profile

- Redundant one-axis or two-axis inclination sensor (0 ... 360° oder -80 ... +80°)
- Resolution of 0.001°
- Accuracy $\pm 0.8^\circ$, over the entire measuring and temperature ranges
- Can be used in applications up to performance level PLd
- IP6K9K, IP67 protection class
- temperature-compensated from -40 ... 85° C
- with PURE.MOBILE technology



Mechanical data

Feature	Technical data	Additional information
Housing	plastic/stainless steel	
Mounting type	3-point mounting	
Weight	~0.149 kg	

Electrical data

Feature	Technical data	Additional information
Operating voltage	8 ... 36 V DC	reverse polarity protection
Current consumption	≤100 mA	without load
Status display	2x two-color LED (red/green)	device status/CAN status
Power rating	±36 V	CAN interface
Temperature drift	≤0.02 °/K 0.008 °/K, typical	
Interface	according to ISO 11898-1, not electrically isolated	CANopen, CiA 301, CiA 303 Part 3, CiA 305, CiA 410
	according to ISO 11898-1, not electrically isolated	CANopen Safety, CiA 301, CiA 303 Part 3, CiA 305, CiA 410, EN 50325-5
Address	1 ... 127	Node ID, parameterizable via SDO or Layer Setting Service (LSS)
Baud rate	20 kbit/s 50 kbit/s 125 kbit/s 250 kbit/s 500 kbit/s 800 kbit/s 1 Mbit/s	
Starting time	<150 ms	
Cut-off frequency	0.1 ... 20 Hz	freely parameterizable, default: 2 Hz
Parameter	according to CiA 301, CiA 303 Part 3, CiA 305, CiA 410	CANopen
	according to CiA 301, CiA 303 Part 3, CiA 305, CiA 410, EN 50325-5	CANopen Safety
Type of connection	1x M12-plug connector (A-coded) 2x M12 plug connectors (A-coded)	5-pin, 1x pin (E12E connection type) 5-pin, 1x pin, 1x socket (E12 connection type)

System data

Feature	Technical data	Additional information
Scanning	MEMS	
Resolution	0.001 °	parameterizable
System accuracy	±0.2 ° at 20 °C ±0.8 °	over the entire temperature and max. measuring range
Measuring range	0 ... 360 ° ±180 ° ±80 °, X-axis, Y-axis	1 axis, parameterizable 1 axis, parameterizable 2 axes, parameterizable
MTTFd	500 Year(s) at 60 °C	per channel
PFHd	228 FIT	at 60 °C according to DIN/EN 61508 Part 6, Ed. 2, 1 FIT = 1.0 E-09 1/h
DCavg	79 %	at 60 °C according to ISO 13849-1, Appendix E.2

Ambient conditions

Feature	Technical data	Additional information
Ambient temperature	-40 ... 85 °C	
Storage temperature	-40 ... 85 °C	
Relative humidity	100 %	condensation admissible
EMC	EN 61000-6-2 EN 61000-6-4	interference resistance / immission emitted interference / emission
Protection category	IP67 IP6K9K	EN 60529 fitted with suitable mating connector ISO 20653 installed with suitable mating connector
Shock resistance	500 m/s ² , 11 ms	EN 60068-2-27, half-sine, 3 axes (+/-), each 3 shocks
Vibration resistance	100 m/s ² , 10 ... 2000 Hz	EN 60068-2-6, 3 axes, each 10 cycles

pin assignment

■ E12, E12E

Signal	PIN
nc	1
+UB	2
GND	3
CAN_H	4
CAN_L	5

Order

■ Ordering table

Feature	Ordering data	Spezifikation	Additional information
interface/protocol	A	CAN	CANopen
		CANs	CANopen Safety
number of axes	B	1	Z-axis
		2	X-axis & Y-axis
Measuring range	C	360	0 ... 360°
		-80/+80	X -80 ... +80°, Y -80 ... +80°
Type of connection	D	E12	Bus IN/Bus OUT
		E12E	Bus IN

■ Order key

IKM360R - - - - - OK - SW

A B C D



Accessories you can find:

- Cable extension KV05S0
- Overview, Mating connector
- Bus terminating connector
- Mating connector, 5-pole, angle socket
- Mating connector, 5-pole, socket

www.siko-global.com
www.siko-global.com
www.siko-global.com
 Order key 83006
 Order key 84109